

Special Fluorescent Lamps

c i r c u i t i n f o r m a t i o n

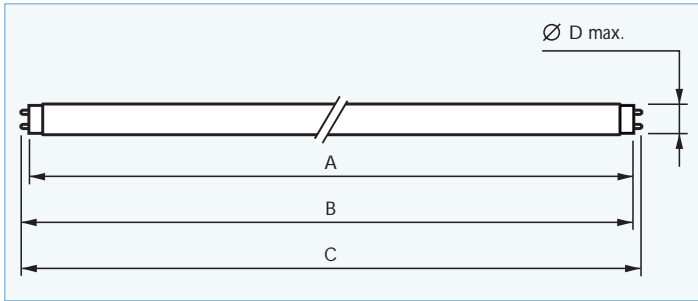


PHILIPS

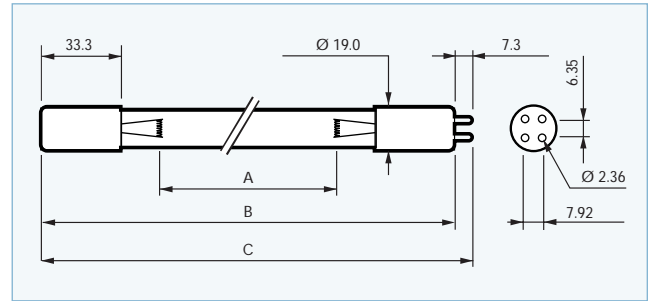
Product overview

Type		Dimensions according IEC 81 (mm)					Color											
		A max	B min	B max	C max	D max	TUV	/03	/05	/08	/10	/15	/16	/16 CR	/17	/18	/89	AQUASKY
'TL' 4W	T5	135.9	140.6	143.0	150.1	16.0	X		X	X								
'TL' 6W	T5	212.1	216.8	219.2	226.3	16.0	X		X	X	X							
'TL' 8W	T5 1ft	288.3	293.0	295.4	302.5	16.0	X		X	X	X						X	X
'TL' 13W	T5	516.9	521.6	524.0	531.1	16.0												
'TL' 11W	T5	212.1	216.8	219.2	226.3	16.0	X		X									
'TL' 15W	T5 1ft	288.3	293.0	295.4	302.5	16.0	16W											
'TL' 25W	T5	516.9	521.6	524.0	531.1	16.0	X											
'TL'D 10W	T8	331.5	336.2	338.6	345.7	28.0	X		X	X								
'TL'D 14-16W	T8	361.2	365.9	368.3	375.4	28.0											X	X
'TL'D 15W	T8	437.4	442.1	444.5	451.6	28.0	X	X	X	X	X				/50		X	X
TUV 25W	T8	437.4	442.1	444.5	451.6	28.0	X											
'TL'D 18W	T8 2ft	589.8	594.5	596.9	604.0	28.0		X		X	X	X	X			X	X	X
'TL'D 25W	T8	740.0	744.7	747.1	754.2	28.0			X								X	X
'TL'DK 30W	T8	437.4	442.1	444.5	451.6	28.0		X	X									
'TL'D 30W	T8 3ft	894.6	899.3	901.7	908.8	28.0	X	X		X							X	X
'TL'D 36W	T8 4ft	1199.4	1204.1	1206.5	1213.6	28.0	X	X		X	X	X	X	X	X	X	X	X
'TL'D 36W-I	T8	970.0	974.7	977.1	984.2	28.0												
'TL'D 38W	T8	1047.4	1051.7	1054.1	1061.2	28.0						X					X	X
'TL'D 58W	T8 5ft	1500.0	1504.7	1507.1	1514.2	28.0							X				X	
'TL'D 55W HO	T8 3ft	894.6	899.3	901.7	908.8	28.0	X											
'TL'D 75W HO	T8 4ft	1199.4	1204.1	1206.5	1213.6	28.0	X											
'TL' 20W (RS)	T12 2ft	589.8	594.5	596.9	604.0	40.5		X	X	X	X							
'TL' 30W (RS)	T12 3ft	894.6	899.3	901.7	908.8	40.5		X										
'TL'K 40W	T12 2ft	589.8	594.5	596.9	604.0	40.5		X	X		X							
'TL' 40W (RS)	T12 4ft	1199.4	1204.1	1206.5	1213.6	40.5		X	X	X	X							
'TL' 60W	T12 4ft	1199.4	1204.1	1206.5	1213.6	40.5					X							
'TL' 65W	T12 5ft	1500.0	1504.7	1507.1	1514.2	40.5												
'TL' 80W	T12 5ft	1500.0	1504.7	1507.1	1514.2	40.5			X		X							
'TL' 100W	T12 6ft	1763.8	1768.5	1770.9	1778.0	40.5					X							
'TL' 115W VHO	T12 4ft	1199.4	1204.1	1206.5	1213.6	40.5	X											
'TL' 140W	T12 5ft	1500.0	1504.7	1507.1	1514.2	40.5		X	X		X							
'TL' 176D38	T12 6ft	1778.0	1768.5	1770.9	1778.0	40.5					X							
TUV 11W 4P-SE	T5	161.0	238.1	244.1	251.9	19.0	X											
TUV 16W 4P-SE	T5	237.0	314.3	320.3	328.1	19.0	X											
TUV 25W 4P-SE	T5 2ft	466.0	542.9	548.9	556.7	19.0	X											
TUV 36T5 4P-SE	T5 3ft	762.0	839.4	845.4	853.0	19.0	X											
TUV 36T5 HO 4P-SE	T5 3ft	762.0	839.4	845.4	853.0	19.0	X											
TUV 64T5 4P-SE	T5 5ft	1473.0	1550.6	1556.6	1564.5	19.0	X											
TUV 64T5 HO 4P-SE	T5 5ft	1473.0	1550.6	1556.6	1564.5	19.0	X											
'TL'E 22W												X						
PL-S 5W 2P		67.0		83.0	105.0	13.0	X											
PL-S 9W 2P		129.0		145.0	167.0	13.0	X			X	X							
PL-S 9W 4P		128.0		145.0	152.0	13.0	X			X	X							
PL-S 11W 2P		198.0		214.0	236.0	13.0	X				X				/51	/52		
PL-L 18W		195.0			225.0	20.0	X				X							
PL-L 24W		290.0			320.0	20.0	X				X							
PL-L 35W HO		195.0			225.0	20.0	X											
PL-L 36W		385.0			415.0	20.0	X											
PL-L 55W HF		505.0			535.0	20.0	X											
PL-L 60W HO		385.0			415.0	20.0	X											
PL-L 95W HO		505.0			535.0	20.0	X											

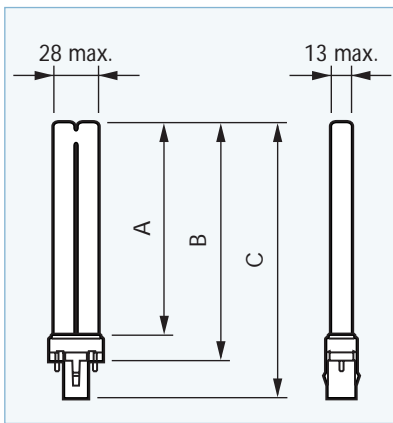
Fluorescent lamps



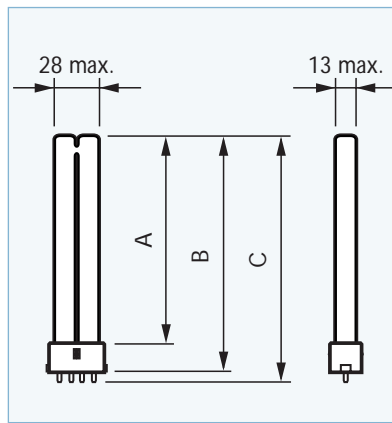
'TL' / 'TL'D' / 'TL'DK' / 'TL'K



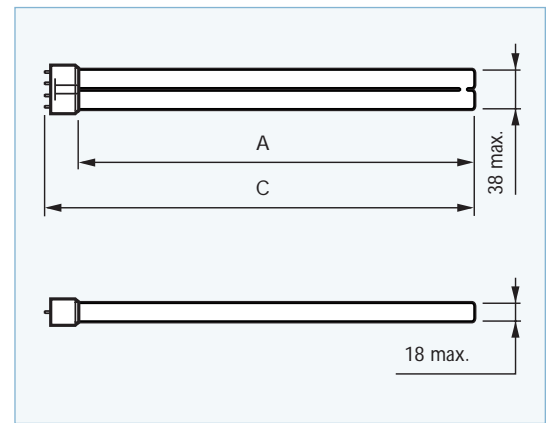
TUV 4P-SE



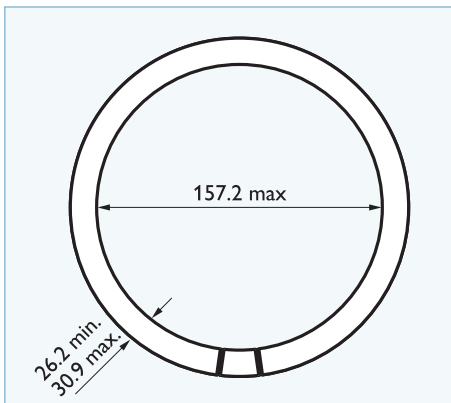
PL-S 2-pin



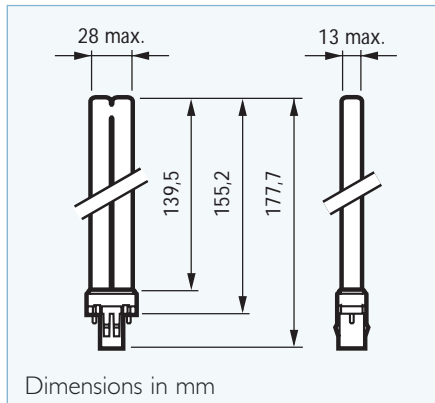
PL-S 4-pin



PL-L



'TLE



Dimensions in mm

TUV PL-S 13W GX23

Supply Voltage 230V (50Hz)

Type	# Lamps	Starter	*Capacitor (uF)	Electromagnetic ballast ¹⁾²⁾		Circuit Number (Page 7)
				PHILIPS	EOC	
'TL' 4W	T5	S2	2.0 paral.	BTL 8W 230V B2	928122 30	1
				BTL 8W 230V B2	928122 30	2
'TL' 6W	T5	S2	2.0 paral.	BTL 8W 230V B2	928122 30	1
				BTL 13W 230V B2	928245 30	2
'TL' 8W	T5 1ft	S2	2.0 paral.	BTL 8W 230V B2	928122 30	1
				BTL 13W 230V B2	928245 30	2
'TL' 13W	T5	S10	1.6 paral.	BTL 13W 230V B2	928245 30	1
'TL' 11W	T5	S10	4.5 paral.	BTL 8W 230V B2 (2*//)	928122 30	1
				BTA 18W 230V C	919120 30	1
'TL' 15W	T5 1ft	S10	4.5 paral.	BTA 18W 230V C	919120 30	1
				BTA 30W 230V C	919151 30	2
'TL' 25W	T5	S10	4.5 paral.	BTA 18W 230V C	919120 30	1
					VS L25.326	1
'TL'D 10W	T8	S10	2.0 paral.	BPL 18W 230V B2	928306 30	1
'TL'D 14-16W	T8	S10	4.5 paral.	BTA 18W 230V C	919120 30	1
'TL'D 15W	T8	S10	4.5 paral.	BTA 15W 230V B2	919106 30	1
TUV 25W	T8	S10	4.5 paral.	BTA 36W 230V C	919175 30	1
					VS L30.342	1
'TL'D 18W	T8 2ft	S10	4.5 paral.	BTA 18W 230V C	919120 30	1
				BTA 36W 230V C	919175 30	1
'TL'D 25W	T8	S10	4.5 paral.	BTA 30 230V C	919151 30	1
					VS L30.347	1
'TL'DK 30W	T8	S10	6.5 paral.	BTA 15W 230V B2 (2*//)	919106 30	5
				BTA 30W 230V C (2*//)	919120 30	6
				BTA 58W 230V B2	919229 30	2
'TL'D 30W	T8 3ft	S10	4.5 paral.	BTA 30 230V C	919151 30	1
'TL'D 36W	T8 4ft	S10	4.5 paral.	BTA 36W 230V C	919175 30	1
'TL'D 36W-1	T8	S10	4.5 paral.	BTA 36W 230V C	919175 30	1
					VS L361.342	1
'TL'D 38W	T8	S10	4.5 paral.	BTA 36W 230V C	919175 30	1
'TL'D 58W	T8 5ft	S10	6.5 paral.	BTA 58W 230V B2	919229 30	1
'TL'D 55W HO	T8 3ft	S10	6.5 paral.	BTA 58W 230V B2	919229 30	1
'TL'D 75W HO	T8 4ft	S12	2x4.5 paral.	BTA 36W 230V C (2*//)	919175 30	5
					VS L80.397	1
'TL' 20W (RS)	T12 2ft	S10	4.5 paral.	BTA 18W 230V C	919120 30	1
'TL' 30W (RS)	T12 3ft	S10	4.5 paral.	BTA 30W 230V C	919151 30	1
'TL'K 40W	T12 2ft	S10	6.5 paral.	BTA 58W 230V B2	919229 30	1
					VS L80.397	2
'TL' 40W (RS)	T12 4ft	S10	4.5 paral.	BTA 36W 230V C	919175 30	1
'TL' 60W	T12 4ft	S10	6.5 paral.	BTA 58W 230V B2	919229 30	1
'TL' 65W	T12 5ft	S10	6.5 paral.	BTA 58W 230V B2	919229 30	1
'TL' 80W	T12 5ft	S12	9 paral.		VS L80.397	1
'TL' 100W	T12 6ft	S12	10 paral.		VS L100.396	1
'TL' 115W VHO	T12 4ft	CP	2x9 paral.		VS L140UV 799	1
				BTA 58W 230V B2 (2*//)	919229 30	5
'TL' 140W	T12 5ft	CP	2x9 paral.		VS L140UV 799	1
'TL' 176D38	T12 6ft	CP	2x9 paral.		VS L140UV 799	1
					VS L160UV.047	1
TUV 11W 4P-SE	T5	S10	4.5 paral.	BTL 8W 230V B2 (2*//)	919122 30	1
				BTA 18W 230V C	919120 30	1
TUV 16W 4P-SE	T5	S10	4.5 paral.	BTA 18W 230V C	919120 30	1
				BTA 30 230V C	919151 30	2
TUV 25W 4P-SE	T5 2ft	S10	4.5 paral.	BTA 36W 230V C	919175 30	1
TUV 36T5 4P-SE	T5 3ft	S10	4.5 paral.	BTA 36W 230V C	919175 30	1
TUV 36T5 HO 4P-SE	T5 3ft	S10	9 paral.		VS L80.397	1
TUV 64T5 4P-SE	T5 5ft					
TUV 64T5 HO 4P-SE	T5 5ft					
PL-S 5W 2P		N.A.		BPL 11W 230V B1	928184 30	3
				BPL 11W 230V B1	928184 30	4
PL-S 9W 2P		N.A.		BPL 11W 230V B1	928184 30	3
				BPL 13W 230V B2	928245 30	4
PL-S 9W 4P						
PL-S 11W 2P		N.A.		BTA 36W 230V C	919175 30	3
PL-L 18W		S10	4.5 paral.	BTA 18W 230V C	919120 30	1
				BTA 36W 230V C	919175 30	2
PL-L 24W		S10	4.5 paral.	BTA 30 230V C	919151 30	1
PL-L 35W HO		S10	6.5 paral.	BTA 58W 230V B2	919229 30	1
PL-L 36W		S10	4.5 paral.	BTA 36W 230V C	919175 30	1
PL-L 55W HF						
PL-L 60W HO		S10	6.5 paral.	BTA 58W 230V B2	919229 30	1
PL-L 95W HO						

N.A Starter is implemented

CP 100-180W Cleo Power bimetal starter

* Voltage values for Capacitors: parallel: 250Vrms, series: 450Vrms

1) To support the existing lamp types as listed for special lighting applications, the specified ballast types are approved for use in special lamp-ballast combinations. Because these ballasts are not specially designed for operating the listed lamp types, the applicability of these solutions is not guaranteed for the future. Despite our efforts to ensure backwards-compatibility, the specifications of the future ballast types may change so that these no longer support the special lamp as listed.

2) We will publish written notifications when such changes occur; resulting in the inability to support specific lamp-ballast combinations.

Supply Voltage 230V (50Hz)

Type	# Lamps	PHILIPS	Electronic ballast ^{1) 2)}	EOC	Circuit Number (Page 7)
'TL' 4W	T5	1	HF-MboxBLUE 105 TL/PL-S (square / linear)	53672330 / 53678530	7
'TL' 6W	T5	1	HF-MboxBLUE 109 TL/PL-S (square / linear)	53674730 / 53680830	7
'TL' 8W	T5 1ft	1	HF-MboxRED 109 TL/PL-S (square)	93142930	7
'TL' 13W	T5	1	HF-MboxRED 114 TL/PL-S (square)	93140530	7
'TL' 11W	T5	1	HFP 1 24-39 T5L HO	928573	7
		2	HFP 2 24-39 T5L HO	928658	8
'TL' 15W	T5 1ft	1	HFP 1 24-39 T5L HO	928573	7
		2	HFP 2 24-39 T5L HO	928658	8
'TL' 25W TUV	T5	1	HFP 1 24-39 T5L HO	928573	7
		2	HFP 2 24-39 T5L HO	928658	8
'TL'D 10W	T8	1	HF-P 118 PL-T/C	74939030	7
'TL'D 14-16W	T8				
'TL'D 15W	T8	1	HF-P 118 TLD EII	93408630	7
		2	HF-P 218 TLD EII	93413030	8
TUV 25W	T8	1	HFP 1 60-120 PL-H	92875731	
'TL'D 18W	T8 2ft	1	HF-P 118 TLD EII	93408630	7
		2	HF-P 218 TLD EII	93413030	8
'TL'D 25W	T8	1	HF-P 118 TLD EII	93408630	7
		2	HF-P 218 TLD EII	93413030	8
'TL'DK 30W	T8	1	HF-P 136 TLD EII	93146730	7
'TL'D 30W	T8 3ft	1	HF-P 136 TLD EII	93146730	7
'TL'D 36W	T8 4ft	1	HF-P 136 TLD EII	93146730	7
		2	HF-P 236 TLD EII	93150430	8
'TL'D 36W-I	T8	1	HF-P 136 TLD EII	93146730	7
'TL'D 38W	T8	1	HF-P 136 TLD EII	93146730	7
'TL'D 58W	T8 5ft	1	HF-P 158 TLD EII	93148130	7
'TL'D 55W HO	T8 3ft	1	HFP 1 60-120 PL-H	92875731	7
		1	IUV-2S60-M4LD (120-277V main)	ADVANCE	7
'TL'D 75W HO	T8 4ft	1	HFP 1 60-120 PL-H	92875731	7
		1	IUV-2S60-M4LD (120-277V main)	ADVANCE	7
'TL'K 40W	T12 2ft	1	HF-P 1 60-120 PL-H	92875731	7
		1	IUV-2S60-M4LD (120-277V main)	ADVANCE	7
'TL' 40W (RS)	T12 4ft	1	HF-B 136 TLD EII	93154230	7
'TL' 60W	T12 4ft	1	IUV-2S60-M4LD (120-277V main)	ADVANCE	7
'TL' 65W	T12 5ft	1	HF-P 158 TLD EII	93148130	7
		2	HF-P 258 TLD EII	93152830	8
'TL' 80W	T12 5ft	1	HF-P 1 60-120 PL-H	92875731	7
		1	IUV-2S60-M4LD (120-277V main)	ADVANCE	7
'TL' 100W	T12 6ft	1	IUV-2S60-M4LD (120-277V main)	ADVANCE	7
'TL' 115W VHO	T12 4ft	1	EVG 1.4-1.5A (Instant Start four wires)	on request	7
'TL' 140W	T12 5ft	1	EVG 1.4-1.5A (Instant Start four wires)	on request	7
'TL' 176D38	T12 6ft	1	EVG 1.4-1.5A (Instant Start four wires)	on request	7
TUV 11W 4P-SE	T5	1	HFP 1 24-39 T5L HO	928573	7
		2	HFP 2 24-39 T5L HO	928658	8
TUV 16W 4P-SE	T5	1	HFP 1 24-39 T5L HO	928573	7
		2	HFP 2 24-39 T5L HO	928658	8
TUV 25W 4P-SE	T5 2ft	1	HFP 1 24-39 T5L HO	928573	7
		2	HFP 2 24-39 T5L HO	928658	8
TUV 36T5 4P-SE	T5 3ft	1	HF-B 158 TLD EII	93156630	7
		1	HFP1 54 T5L HO	928610	7
		1	HF-P 136 TLD EII	93146730	7
TUV 36T5 HO 4P-SE	T5 3ft	1	HFP 1 60-120 P-LH	92875731	7
		1	IUV-2S60-M4LD (120-277V main)	ADVANCE	7
TUV 64T5 4P-SE	T5 5ft	1	HFP1 54 T5L HO	928610	7
TUV 64T5 HO 4P-SE		1	IUV-2S60-M4LD (120-277V main)	ADVANCE	7
PL-S 5W 2P					
PL-S 9W 2P					
PL-S 9W 4P		1	HF-MboxBLUE 109 TL/PL-S (square / linear)	53674730 / 53680830	9
		1	HF-MboxRED 109 TL/PL-S (square)	93142930	9
PL-S 11W 2P					
PL-S 18W		1	HF-P 1 18-24 PL-L	749376	9
		2	HF-P 2 18-24 PL-L	749703	10
PL-L 24W		1	HF-P 1 18-24 PL-L	749376	9
		2	HF-P 2 18-24 PL-L	749703	10
PL-L 35W HO		1	HF-P 1 60-120 PL-H	92875731	9
		1	IUV-2S60-M4LD (120-277V main)	ADVANCE	9
		2	IUV-2S60-M4LD (120-277V main)	ADVANCE	10
PL-L 36W		1	HF-P 136 PL-L EII	934178 30	9
		2	HF-P 236 PL-L EII	934253 30	10
PL-L 55W HF		1	HF-P 155 PL-L EII	934239 30	9
		2	HF-P 255 PL-L EII	934291 30	10
PL-L 60W HO		1	HF-P 1 60-120 PL-H	92875731	9
		1	IUV-2S60-M4LD (120-277V main)	ADVANCE	9
		2	IUV-2S60-M4LD (120-277V main)	ADVANCE	10
PL-L 95W HO		1	HF-P 1 60-120 PL-H	92875731	9
		1	IUV-2S60-M4LD (120-277V main)	ADVANCE	9

1) To support the existing lamp types as listed for special lighting applications, the specified ballast types are approved for use in special lamp-ballast combinations. Because these ballasts are not specially designed for operating the listed lamp types, the applicability of these solutions is not guaranteed for the future. Despite our efforts to ensure backwards-compatibility, the specifications of the future ballast types may change so that these no longer support the special lamp as listed.

2) We will publish written notifications when such changes occur; resulting in the inability to support specific lamp-ballast combinations.

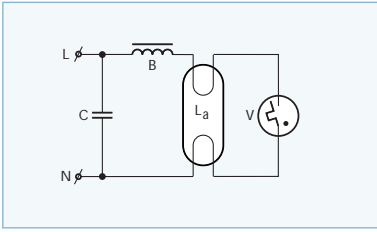
Supply Voltage 120V (60Hz)

Type		Base-face length (mm)	# Lamps	Electromagnetic ballast ^{1) 2)} Advance Transformers Co.	Electronic ballast ^{1) 2)} Advance Transformers Co.	Electronic ballast ^{1) 2)} Lightwave
'TL' 4W = F4T5	T5	136	1	LPL-5-9	RMB-1P13-S1	LW20EB20-120-xx
'TL' 6W = F6T5	T5	212	1	LC-4-9-C	RMB-1P13-S1	LW20EB20-120-xxx
'TL' 8W = F8T5	T5 1ft	288	1	LPL-5-9		LW20EB20-120-xxx
			1	LPL-7-9		
			2	LC-4-9-C		LW20EB26-120
'TL' 11W = F11T5	T5	212	1	LC-14-20-C		LW20EB20-120-xx
'TL' 15W = F15T5	T5 1ft	288	1	LC-14-20-C	RMB-2P13-L2	LW20EB20-120-xxx
'TL' 25W = F25T5	T5	517	1			LW20EB20-120-xxx
'TL'D 10W = F10T8	T8	332	1			
'TL'D 15W = F15T8	T8 18"	437	1	LO-13-22	REL2P32-SC	LW20EB20-120-xxx
			1	LC-14-20-C		
			1	L-120F		
TUV 25W	T8 18"	437	1			LW20EB40-120-xxx
'TL'D 18W	T8 2ft	590	1	LC-14-20-C		
					LO-13-22	
F17T8	T8 2ft	590	1	RCN-1P32	REL1P32-SC	LW20EB20-120-xxx
'TL'D 25W	T8	740				
'TL'DK 30W	T8	437				
'TL'D 30W = F30T8	T8 3ft	895	1			LW20EB40-120-xxx
'TL'D 36W	T8 4ft	1199	1		REL1S40-SC	
			2		REL2S40-SC	
TUV 55W	T8 3ft	895	1		IUV-2S60-M4LD (120-277 main)	LW20EB65-PFC-xx
'TL'D 58W	T8 5ft	1500				
TUV 75W	T8 4ft	1199	1		IUV-2S60-M4LD (120-277 main)	LW20EB65-PFC-xx
'TL' 20W (RS) = F20T12	T12 2ft	590	1			
'TL' 30W (RS) = F30T12	T12 3ft	895	1	HM-1P30-TP	REL1S40-SC	
'TL'K 40W	T12 2ft	590				
'TL' 40W (RS) = F40T12	T12 4ft	1199	1	R-140-TP Mark III	REL1S40-SC	
			2	R-2540-TP Mark III	REL2S40-SC	
'TL' 60W = F48T12/HO	T12 4ft	1199	1	RS-2S60-TP	IUV-2S60-M4LD (120-277 main)	
'TL' 80W	T12 5ft	1500	1	RS-110-TP	IUV-2S60-M4LD (120-277 main)	
'TL' 100W	T12 6ft	1764	1			
			2	RS2S100-TP		
TUV 115WVHO	T12 4ft	1199	1	RC2S102-TP		
'TL' 140W	T12 5ft	1500	1	RC2S102-TP		
'TL' 176D38	T12 6ft	1778	1	RC2S102-TP		
TUV 36T5 SP	T5 3ft	839	1			LW20EB40-120-IN-xx
TUV 36T5 4P-SE	T5 3ft	839	1		ICN2S39	LW20EB40-120-xx
TUV 36T5 HO 4P/SE	T5 3ft	839	1		IUV-2S60-M4LD (120-277 main)	LW20EB65-PFC-xx
TUV 64T5 SP	T5 5ft	1557	1		SSB21202/64-UV	LW20EB65-PFC-IN-xx
			2		SSB21202/64-UV	
TUV 64T5 4P/SE	T5 5ft	1557	1		ICN1S80	LW20EB65-PFC-xx
TUV 64T5 HO 4P/SE	T5 5ft	1557				IUV-2S60-M4LD (120-277 main)
PL-S 9W 2P		145	1	LPL-5-9-TP		
			1	LC-4-9-C-TP		
PL-S 9W 4P		145	1		RMB-1P13-L2	LW20EB26-120
			1		RMB-1P13-S1	
PL-S 11W 2P		214	1	N.A.		
PL-S 13W 2P		155	1	LC-13-TP		
			1	LO-13-22-TP		
PL-L 18W		218	1	LC-25-TP	RMB-2P13-L2	LW20EB20-120-xx
					RMB-2P13-S2	
PL-L 24W		315			R-1BP27-TP	ICN2S24
PL-L 35W HO		218	1		IUV-2S60-M4LD (120-277 main)	LW20EB40-120-xx
			2		IUV-2S60-M4LD (120-277 main)	
PL-L 36W		408	1	R-1BP39-TP	REL-1TTS39	LW20EB40-120-xx
			1		ICN2S24	
			2	R-2BS39-TP	REL-2TTS39	
			2		ICN2S54	LW20EB65-120-xx
PL-L 55W HF		528	1		ICN1S80	LW20EB40-120-xx
PL-L 60W HO		408	1		REL2S110	LW20EB65-PFC-xx
			1		IUV-2S60-M4LD (120-277 main)	
			2		IUV-2S60-M4LD (120-277 main)	
PL-L 95W HO		528	1		IUV-2S60-M4LD (120-277 main)	LW20EB65-PFC-xx
'TL'E 22W		157*	1	LC-14-20-C-TP		

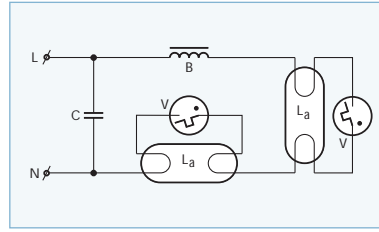
1) To support the existing lamp types as listed for special lighting applications, the specified ballast types are approved for use in special lamp-ballast combinations. Because these ballasts are not specially designed for operating the listed lamp types, the applicability of these solutions is not guaranteed for the future. Despite our efforts to ensure backwards-compatibility, the specifications of the future ballast types may change so that these no longer support the special lamp as listed.

2) We will publish written notifications when such changes occur, resulting in the inability to support specific lamp-ballast combinations.

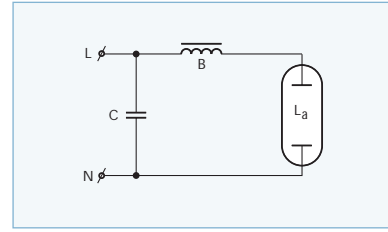
Wiring diagrams



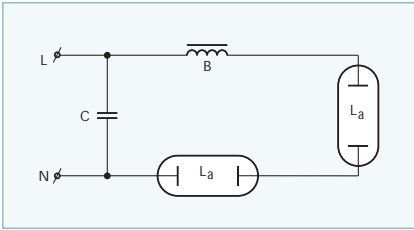
Circuit 1



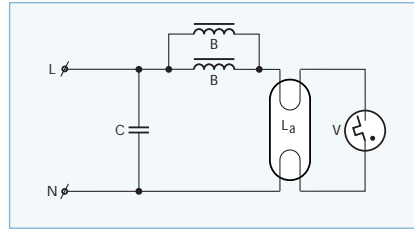
Circuit 2



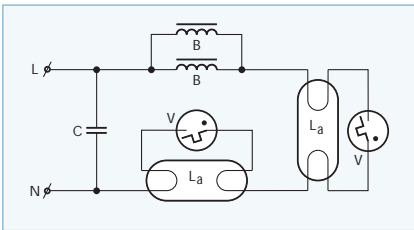
Circuit 3



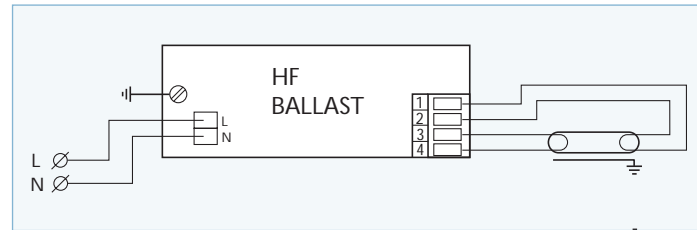
Circuit 4



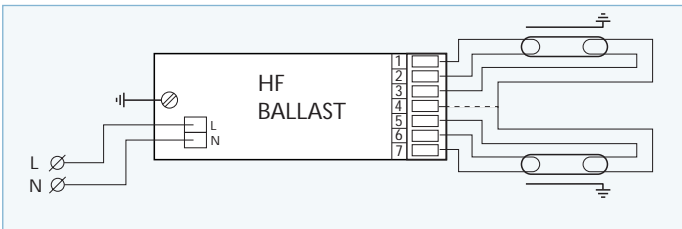
Circuit 5



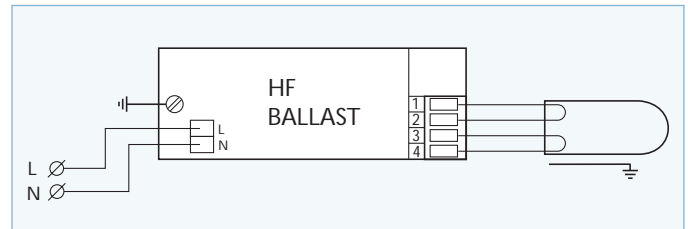
Circuit 6



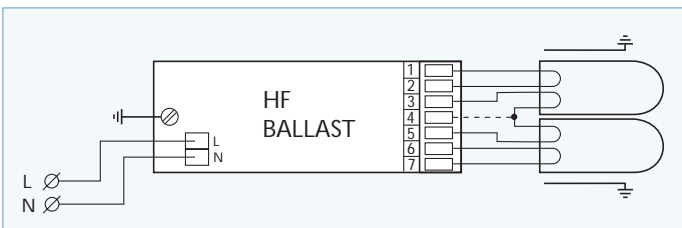
Circuit 7



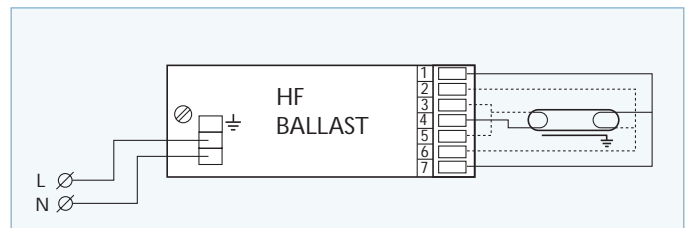
Circuit 8



Circuit 9



Circuit 10



Circuit 11



For more information or support:

Lightwave
Tel.: +1 626 791 3977
web: www.lwlight.com
email: sales@uvdrivers.com

Vossloh-Schwabe Deutschland GmbH
Tel: +49 2 2351/10 10
web: www.vossloh-schwabe.com

Advance Transformers Co.
Tel.: +1 847 390 5000
web: www.advancetransformer.com

Philips Licht
Tel: +49 40 2899 2408
web: www.philips.de/licht
email: licht.oem@philips.com

www.uvdisinfection.philips.com