



HF-Basic II for TL-D lamps

HF-B 158/258 TL-D EII 220-240V 50/60Hz

Affordable, reliable, CE complying, high frequency electronic ballast for TLD fluorescent lamps Ideal alternative for electromagnetic (EM) ballasts

Product data

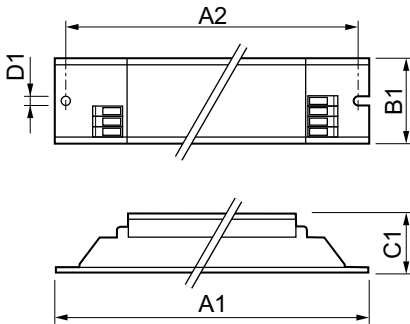
Operating and Electrical	
Input Voltage	220 to 240 V
Line Frequency	50 to 60 Hz
Input Frequency	50 to 60 Hz
Inrush Current Width	0.35 ms
Inrush Current Peak (Max)	31 A
Number of Products on MCB (16A Type B) (Nom)	12
Wiring	
Connector Type Input Terminals	WAGO 251 universal connector [Suitable for both automatic wiring (ALF and ADS) and manual wiring]
Connector Type Output Terminals	WAGO 251 universal connector [Suitable for both automatic wiring (ALF and ADS) and manual wiring]
Cable Length From Device to Lamp	2.00 m
Temperature	
T-Case Lifetime (Nom)	75 °C
T-Case Maximum (Max)	75 °C

Mechanical and Housing	
Housing	- [Not Specified]
Net Weight (Piece)	0.240 kg
Approval and Application	
Energy Efficiency Index	A2
Safety Standard	IEC 61347-2-3
Environmental Standard	ISO 14001
Approval Marks	CE marking ENEC certificate VDE-EMV certificate
Ambient temperature range	-15 °C to 50 °C

Product Data	
Order product name	HF-B 158/258 TL-D EII 220-240V 50/60Hz
Full product name	HF-B 158/258 TL-D EII 220-240V 50/60Hz
Full product code	871150093160330
Order code	913700192966
Material Nr. (12NC)	913700192966
Numerator - Quantity Per Pack	1
EAN/UPC - Product/Case	8711500931603
Numerator - Packs per outer box	12
EAN/UPC - Case	8711500931610

HF-Basic II for TL-D lamps

Dimensional drawing



Product	D1	C1	A1	A2	B1
HF-B 158/258 TL-D EII 220-240V 50/60Hz	4.2 mm	28.0 mm	280.0 mm	265.0 mm	30.0 mm

